

NSS4330 Series L3 MPLS Aggregation Switch




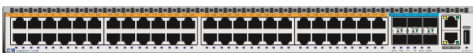
Datasheet





Overview

NSS4330 series switch is a high-performance stackable L3 MPLS aggregation routing switch developed by Maipu. It is applied in enterprise campus network and easy to deploy Layer3 switching solution that offers enhanced security and 10GE/40GE/100GE uplinks, RIP/OSPF/BGP/IS-IS, L2&L3 Multicast, VST/M-LAG stacking enabled and flexible management.

NSS4330 series switch can be used as L3 access devices on large-sized campus networks. They can also be used as aggregation devices on small and medium-sized campus networks. The switches help build highly reliable enterprise campus networks that are easy to expand and manage.

NSS4330 series switch includes NSS4330-32TXF, NSS4330-32TXP, NSS4330-56TXF, NSS4330-56TXP, NSS4330-36GXF, NSS4330-60GXF, NSS4330-36TXF, NSS4330-60TXF eight models.

Model Name	Specification
 <p>NSS4330-32TXF(V2)</p>	<ul style="list-style-type: none"> ● 24*10/100/1000M Base-T + 6*10G SFP+ ● One Extension Slot (10G/40G/100G Extension Card) ● Dual Power Slots ● RJ45 Console/RJ45 Management/USB2.0 Port ● Switching Capacity: 448Gbps
 <p>NSS4330-32TXP(V2)</p>	<ul style="list-style-type: none"> ● 24*10/100/1000M Base-T + 6*10G SFP+ ● One Extension Slot (10G/40G/100G Extension Card) ● Dual Power Slots ● 380W/760W PoE+ ● RJ45 Console/RJ45 Management/USB2.0 Port ● Switching Capacity: 448Gbps
 <p>NSS4330-56TXF(V2)</p>	<ul style="list-style-type: none"> ● 48*10/100/1000M Base-T + 6*10G SFP+ ● One Extension Slot (10G/40G/100G Extension Card) ● Dual Power Slots ● RJ45 Console/RJ45 Management/USB2.0 Port ● Switching Capacity: 496Gbps
 <p>NSS4330-56TXP(V2)</p>	<ul style="list-style-type: none"> ● 48*10/100/1000M Base-T + 6*10G SFP+ ● One Extension Slot (10G/40G/100G Extension Card) ● Dual Power Slots ● RJ45 Console/RJ45 Management/USB2.0 Port ● 380W/760W PoE+ ● Switching Capacity: 496Gbps

Model Name	Specification
 <p data-bbox="341 327 596 360">NSS4330-36GXF(V2)</p>	<ul data-bbox="847 219 1460 405" style="list-style-type: none"> ● 24*1G SFP + 4*10G SFP+ ● Two Extension Slots (10G/40G/100G Extension Card) ● Dual Power Slots ● RJ45 Console/RJ45 Management/USB2.0 Port ● Switching Capacity: 688Gbps
 <p data-bbox="341 535 596 568">NSS4330-60GXF(V2)</p>	<ul data-bbox="847 427 1460 613" style="list-style-type: none"> ● 48*1G SFP + 4*10G SFP+ ● Two Extension Slots (10G/40G/100G Extension Card) ● Dual Power Slots ● RJ45 Console/RJ45 Management/USB2.0 Port ● Switching Capacity: 736Gbps
 <p data-bbox="341 763 596 797">NSS4330-36TXF(V3)</p>	<ul data-bbox="847 636 1460 857" style="list-style-type: none"> ● 24*10/100/1000M Base-T + 4*10G SFP+ ● Two Extension Slots (10G/40G/100G Extension Card) ● Dual Power Slots ● Dual FAN Slots ● RJ45 Console/RJ45 Management/USB2.0 Port ● Switching Capacity: 688Gbps
 <p data-bbox="341 1010 596 1043">NSS4330-60TXF(V3)</p>	<ul data-bbox="847 880 1460 1102" style="list-style-type: none"> ● 48*10/100/1000M Base-T + 4*10G SFP+ ● Two Extension Slots (10G/40G/100G Extension Card) ● Dual Power Slots ● Dual FAN Slots ● RJ45 Console/RJ45 Management/USB2.0 Port ● Switching Capacity: 736Gbps

Key Features

- **Versatile Aggregation Switch with Modular Expansion**

The NSS4330 series switch features a modular expansion capability that offers a wide range of options for connecting to upstream networks. Choose from 2*40G ports, 4*10G ports, or a combination of 1*40G+1*100G ports on its expansion modules. This flexibility empowers your network infrastructure to adapt seamlessly to various deployment scenarios, making it an ideal choice for diverse networking needs.

- **Intelligent Stacking Technology**

The NSS4330 series switch is equipped with Maipu VST stacking function. VST (Virtual Switching Technology) stacking combines multiple switches to form a logical virtual switch via the 10G SFP+ ports, improving device and link reliability, network expansion, and simplifying configuration and management.

The NSS4330 series switch also support M-LAG, aggregating links of multiple switches to ensure link backup and uninterrupted services during upgrade.

- **Software Defined Network**

The NSS4330 series switch is capable of being managed by Maipu's BD-Campus controller, an integrated SDN platform designed for campus networks. The utilization of software-defined network technologies in this platform simplifies the deployment, management, and security of campus networks, while also enabling network teams to complete the majority of their work directly on the BD-Campus controller platform. When compared with traditional methods, implementing a BD-Campus solution can significantly reduce network deployment times, simplify network maintenance, improve troubleshooting efficiency, and ultimately lead to overall cost savings for customers.

- **Advanced MPLS Capabilities**

The NSS4330 series switch delivers advanced MPLS capabilities, enhancing your network infrastructure with powerful features. These include seamless MPLS VPN deployment for secure and efficient data transmission, MPLS Traffic Engineering for optimized traffic routing, and MPLS Quality of Service (QoS) support for prioritizing critical applications.

- **Zero Touch Provisioning**

The NSS4330 series switch features advanced Zero Touch Provisioning (ZTP) capabilities, streamlining the deployment process for network administrators. With ZTP, the switch can automatically discover and load necessary version files from a file server via a DHCP server or a USB flash disk, eliminating the need for manual intervention during initial setup. This automation reduces configuration errors, accelerates the deployment process, and enhances overall network efficiency, making the NSS4330 series switch an ideal choice for scalable and dynamic network environments.

- **Advanced Network Virtualization**

The NSS4330 series switch excels in virtualization and congestion management, catering to contemporary network demands. Offering L2/L3 VxLAN Gateway support, it enables flexible deployment with Static, Distributed, and Centralized VxLAN Gateways. Additionally, the switch accommodates IPv4/IPv6 VxLAN Tunnels and BGP-EVPN for seamless overlay networking.

- **High Availability**

The NSS4330 series switch offers advanced redundancy and reliability features, catering to diverse networking requirements. In addition to supporting traditional spanning tree protocols such as STP, RSTP, and MSTP, the switch also complies with the ITU-T G.8032 international standard. This Ethernet Ring Protection Switching (ERPS) protocol enables rapid 50ms failover within Ethernet ring network topologies, ensuring seamless connectivity and minimal downtime.

Furthermore, the NSS4330 series switch incorporates the Virtual Router Redundancy Protocol (VRRP), facilitating uplink backup capabilities. By connecting to multiple aggregation switches via multiple links, the switch significantly enhances access device reliability, promoting network stability and resilience.

● **Perfect Security Policy**

The NSS4330 series switch offers a comprehensive suite of security features, including user authentication, port security, ACLs, loopback detection, and 802.1X authentication. It also incorporates IP Source Guard, DHCP/ND Snooping, Host Guard, Dynamic ARP Inspection, and PPPoE+ security mechanisms. These robust security functions ensure user access and network protection.

Additionally, the switch supports MAC+IP+VLAN binding, 802.1X authentication, and countermeasures against network storm, DOS/DDOS, ARP, and protocol packet attacks. This makes the NSS4330 series ideal for large-scale, multi-service, and complex-traffic networks.

● **Advanced QoS**

The NSS4330 series switch offers sophisticated QoS capabilities for optimal network performance. Supporting eight queues per port and advanced scheduling algorithms such as SP, RR, WRR, and WDRR, the switch effectively manages traffic prioritization and resource allocation.

The switch accommodates diverse priority mapping techniques, including 802.1p, CoS, and DSCP, enabling fine-grained control over traffic classification and prioritization. With granular port traffic rate limiting and time-based controls, network administrators can regulate bandwidth usage as needed.

To optimize network performance and minimize congestion, the NSS4330 series switch employs advanced congestion management techniques, such as Tail Drop and RED packet loss algorithms. These mechanisms help maintain seamless network operation while ensuring efficient delivery of critical data.

● **IPv4&IPv6 Dual-stack Ability**

The NSS4330 series switch is built on an IPv4/IPv6 dual-stack platform, delivering hardware-based, wire-speed forwarding for both IPv4 and IPv6 traffic. The switch supports IPv4/IPv6 Layer 3 routing protocols, including RIPng, OSPFv3, BGP4+, and IS-IS for IPv6. These IPv6 capabilities enable seamless deployment on pure IPv4, pure IPv6, or dual-stack networks, facilitating a smooth transition from IPv4 to IPv6 infrastructure.

● **Rich Network Management**

The NSS4330 series switch offers a comprehensive set of management options. These options encompass network management protocols like SNMP and TR-069, configuration and control options like Netconf/Yang and CLI, monitoring and diagnostic tools such as RMON and SYSLOG. These versatile features enable network administrators to effectively manage, monitor, and maintain optimal network performance locally.

● **Free Licensing Policy**

Maipu consistently adheres to a "One-time investment" free license policy, ensuring that standard and advanced features are not differentiated across versions. This approach guarantees that customers receive new firmware updates without incurring additional charges. In comparison to other manufacturers, Maipu's free license policy safeguards both short-term and long-term user investments, providing an unparalleled value proposition.

Technical Specifications

Model	NSS4330-32TXF	NSS4330-32TXP	NSS4330-56TXF	NSS4330-56TXP	NSS4330-36GXF	NSS4330-60GXF	NSS4330-36TXF	NSS4330-60TXF
Hardware Specification								
Physical Traffic Port	24*10/100/1000M Base-T interfaces 6*10G SFP+ interfaces	24*10/100/1000M Base-T interfaces 6*10G SFP+ interfaces	48*10/100/1000M Base-T interfaces 6*10G SFP+ interfaces	48*10/100/1000M Base-T interfaces 6*10G SFP+ interfaces	24*1G SFP interfaces 4*10G SFP+ interfaces	48*1G SFP interfaces 4*10G SFP+ interfaces	24*10/100/1000M Base-T interfaces 4*10G SFP+ interfaces	48*10/100/1000M Base-T interfaces 4*10G SFP+ interfaces
Extension Slot	One	One	One	One	Dual	Dual	Dual	Dual
Power Slot	Dual	Dual	Dual	Dual	Dual	Dual	Dual	Dual
Fan Slot	N/A	N/A	N/A	N/A	N/A	N/A	Dual	Dual
PoE Power Consumption	N/A	380W/760W	N/A	380W/760W/1440W	N/A	N/A	N/A	N/A
PoE Standard	N/A	IEEE 802.af/at	N/A	IEEE 802.af/at	N/A	N/A	N/A	N/A
Power Consumption (Without PoE)	≤65W	≤79W	≤79W	≤79W	≤75W	≤111W	≤80W	≤80W
Dimension (W*D*H)mm	442*420*44.2							
Physical Management Port	1* RJ45 Console Port 1* DC0 Port 1* USB2.0 Port							
Input Voltage	AC:100V ~ 240V/50Hz ~ 60Hz DC:-40 ~ -72V							
Temperature	Work Temperature: -5°C to 50°C Storage Temperature:-40°C to 70°C							
Humidity	Work Humidity:10% ~ 90%, non-condensing Storage Humidity:5% ~ 95%, non-condensing							
Anti-lightning	6KV							
Anti-Static	6KV							
MTBF	>100000 hours							
Performance Parameters								
Switching Capability	448Gbps	448Gbps	496Gbps	496Gbps	688Gbps	736Gbps	688Gbps	736Gbps
Forwarding Rate	333.3Mpps	333.3Mpps	369Mpps	369Mpps	511.8Mpps	547.5Mpps	511.8Mpps	547.5Mpps
Flash	8GB	8GB	8GB	8GB	8GB	8GB	8GB	8GB
RAM	2GB	2GB	2GB	2GB	2GB	2GB	2GB	2GB
MAC Address Entry	131K/393K	131K/393K	131K/393K	131K/393K	131K/393K	131K/393K	131K/393K	131K/393K
Jumbo Frame	12K	12K	12K	12K	12K	12K	12K	12K
ARP Entry	63K	63K	63K	63K	63K	63K	63K	63K
ND Entry	19K	19K	19K	19K	19K	19K	19K	19K

VLAN Entry	4K	4K	4K	4K	4K	4K	4K	4K
LACP Group	64	64	64	64	64	64	64	64
LACP Member in Group	32	32	32	32	32	32	32	32
MSTP Instance	64	64	64	64	64	64	64	64
IPv4 Routing Entry	81K/114K	81K/114K	81K/114K	81K/114K	81K/114K	81K/114K	81K/114K	81K/114K
IPv6 Routing Entry	40K/57K	40K/57K	40K/57K	40K/57K	40K/57K	40K/57K	40K/57K	40K/57K
L2 Multicast Entry	8K	8K	8K	8K	8K	8K	8K	8K
L3 Multicast Entry	8K	8K	8K	8K	8K	8K	8K	8K
VRF Entry	1K	1K	1K	1K	1K	1K	1K	1K
VRRP Group	255	255	255	255	255	255	255	255

Software Specification

Interface	Basic Port Configuration	Auto MDI/MDIX, Port Type UNI/NNI, Port Speed, Port MTU, Switch Port, Port Loopback, Port Energy Control
	Logic Interface	Loopback Interface, Tunnel Interface, Null Interface, L2/L3 VLAN Interface, L3 Ethernet Interface, VxLAN Interface
	MAC Address Management	Storm Control, Flood Control, MAC Address Aging Time, Mac Address Learning on off, Mac Address Learning Limitation, Mac Address VLAN Binding, MAC Debug
VLAN	VLAN Management	VLAN, QinQ, Flexible QinQ, VLAN PVID, VLAN Tag/Untag, VLAN Trunk, MAC VLAN, Protocol VLAN, Subnet VLAN, Super VLAN, Voice VLAN, Private VLAN, Guest VLAN, VLAN Debug, GVRP, VLAN Isolation
Ring Protection	Spanning Tree Protocols	STP/RSTP/MSTP, BPDU Guard, Flap Guard, Loop Guard, Root Guard, TC Guard
	Other Ring Protocols	VIST/VIST+, G.8032(ERPSv1&v2)
Link Aggregation	LACP Configuration	LACP Link Aggregation, LACP Port Priority, LACP Load Balance, LACP Rate Monitor, LACP Debug
Error Handling	Error-disable Configuration	Error-disable Based on BPDU Guard DAI DHCP Snooping Link Flap Loopback Detect Port Security Storm Control Transceiver Power, Error-disable Recovery
Fault Detection	Fault Detection Features	ULFD, Track, Loop-back Detection, CFM(802.1ag)
IP Services	IP Protocol	ARP, DNS, NTP Server/Client, ICMP, ECMP, GRE, IPIP, IPv6 over IPv4, ISATAP, IPv4 over IPv6, IPv6 over IPv6
	Routing Protocol	Static Routing v4/v6, RIP/RIPng, IRMP, OSPF v2/v3, BGP/BGP+, ISIS/ISIS v6, VRRP/VRRP v3, VBRP, PBR/PBR v6, IP-VRF
	DHCP Service	DHCP v4/v6 Server, DHCP v4/v6 Client, DHCP v4/v6 Relay, DHCP Snooping, DHCP Option51/82
Multicast Protocols	L2 Multicast Protocols	IGMPv1/v2/v3 Snooping, IGMP Snooping Proxy, MLD Snooping, MVR, MVP
	L3 Multicast Protocols	IGMPv1/v2/v3, PIM v4/v6-SM, PIM v4/v6-SSM, PIM-DM, PIM-SDM,
QoS	Priority Mapping	802.1P Priority, DSCP priority
	Traffic Classification	Three Color Marker, Priority Remark, Traffic Redirect, Traffic Meter, Traffic Mirror
	Traffic Control	Rate Limit, Traffic Shaping
	Scheduling Algorithm	SP, RR, WRR, WDRR, SP+WRR, SP+WDRR

	Congestion Management	Tail-drop, RED, WRED
MPLS	MPLS L3 VPN	LDP, MPLS BGP, MPLS Option-A & Option-B, Multi-VRF
	MPLS OAM	MPLS Ping/Traceroute, MPLS QoS, MPLS TE
Security	Port Security	Port Security On aging deny permit violation ACL
	Network Access Control	IP Source Guard(ISG), DHCP Snooping, ND Snooping, Host Guard
	Threat Prevention	Dynamic ARP Inspection(DAI), ARP Check, AARF ARP-Guard, ARP Speed Limit, ARP Source Suppression, PPPoE+
	Access Control List	Standard IP ACL, Extended IP ACL, Standard MAC ACL, Extended MAC ACL, Standard Hybrid ACL, Extended Hybrid ACL, Standard IPv6 ACL, Extended IPv6 ACL, Time-based ACL
	Anti-Attack	Anti-Attack Detect Drop Flood Log, URPF, White List, Black List
	AAA	AAA, Radius, TACACS+, 802.1x, Portal
High Availability	Device Virtualization	H-VST, M-VST, M-LAG
	Multi-Active Detection	MAD LACP, MAD BFD, MAD Fast-Hello
	High availability Protocols	HA, ULFD, UDLD, G.8032, ULPP, Monitor Link, Track, VRRP, VRRPv3, VBRP, EEP, BFD with Static RIP OSPF BGP ISIS, CPU protection
Configuration and Maintenance	Monitoring and Diagnostics	SPAN, RSPAN, ERSPAN, VLAN SPAN, sFlow, Telemetry, LLDP, IP-SLA
	Device Management	TR069, SNMP v1/v2/v3, MIB, RMON, SYSLOG, WEB(HTTP/HTTPS), CLI, Telnet, FTP/TFTP, SSH, Debug, Telemetry, ISSU, Hot Patch, Keepalive Gateway, Cloud Management
	Zero Touch Provisioning	ZTP Provisioning Through DHCP Server, ZTP Provisioning Through USB Flash Disk
Network Virtualization	VxLAN/EVPN	IPv4/IPv6 VxLAN Tunnel, Distributed VxLAN Gateway, VxLAN Static Centralized Gateway, VxLAN QoS, BGP-EVPN
	Data Center Interconnect(DCI)	END-TO-END VxLAN, VLAN Hand-Off, Cross As Segment VxLAN
	Software Defined Networking(SDN)	Openflow, Netconf/Yang
IEEE Standard	IEEE 802.3 (10BASE-T) IEEE 802.3u (100BASE-T) IEEE 802.3z (1000BASE-X) IEEE 802.3ab (1000BASE-T) IEEE 802.3ae (10G BASE-X) IEEE 802.3ba (40G and 100G) IEEE 802.3ah (Ethernet in the First Mile Operations, Administration, and Maintenance) IEEE 802.1x (Port-Based Network Access Control) IEEE 802.3ad (Link Aggregation) IEEE 802.3x (Flow Control) IEEE 802.1d (Spanning Tree Protocol) IEEE 802.1ab (Link Layer Discovery Protocol) IEEE 802.1Q (Virtual LAN) IEEE 802.1w (Rapid Spanning Tree Protocol) IEEE 802.1s (Multiple Spanning Tree Protocol) IEEE 802.1p (Class of Service Priority) IEEE 802.1ag (Connectivity Fault Management)	

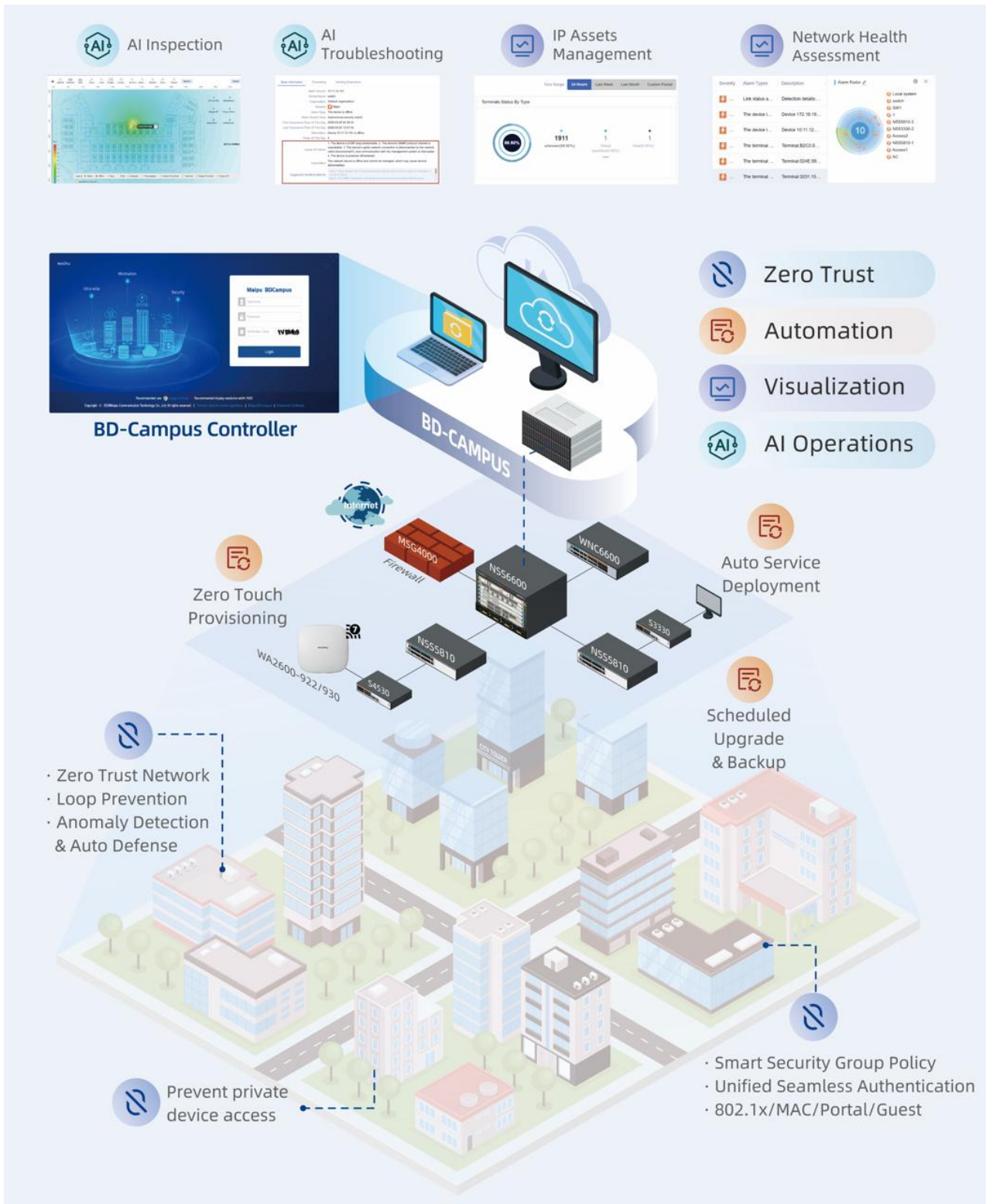
Order Information

Model	Description
NSS4330 Series	
NSS4330-32TXF	V2 Version: 24*10/100/1000M Base-T interfaces, 6*10G SFP+ interfaces, One Extension Slot, Dual hot-swappable Power Slots.
NSS4330-56TXF	V2 Version: 48*10/100/1000M Base-T interfaces, 6*10G SFP+ interfaces, One Extension Slot, Dual hot-swappable Power Slots.
AD120-1S005E	120W AC Power Supply Module
AD150M-HS0N	150W AC Power Supply Module
DD250-5D005E	120W DC Power Supply Module
NSS4330 Series	
NSS4330-32TXP	V2 Version: 24*10/100/1000M Base-T interfaces, 6*10G SFP+ interfaces, PoE Enable, One Extension Slot, Dual hot-swappable Power Slots.
NSS4330-56TXP	V2 Version: 48*10/100/1000M Base-T interfaces, 6*10G SFP+ interfaces, PoE Enable, One Extension Slot, Dual hot-swappable Power Slots.
AD500-1D005E	500W AC Power Supply Module
AD880-1D005E	880W AC Power Supply Module (Only For NSS4330-56TXP)
DD500-5D005E	500W DC Power Supply Module
NSS4330 Series	
NSS4330-36GXF	V2 Version: 24*10/100/1000M SFP interfaces, 4*10G SFP+ interfaces, Dual Expansion Slots, Dual hot-swappable Power Slots.
AD120M-HS0N	120W AC Power Supply Module
AD150M-HS0N	150W AC Power Supply Module
DD250M-5S0N	120W DC Power Supply Module
NSS4330 Series	
NSS4330-60GXF	V2 Version: 48*10/100/1000M SFP interfaces, 4*10G SFP+ interfaces, Dual Extension Slots, Dual hot-swappable Power Slots.
AD150M-HS0N	150W AC Power Supply Module
AD250-1S005E-B	250W AC Power Supply Module
DD500M-5S0B	500W DC Power Supply Module
NSS4330 Series	
NSS4330-36TXF	V3 Version: 24*10/100/1000M Base-T interfaces, 4*10G SFP+ interfaces, Dual Extension Slots, Dual FAN Slots, Dual hot-swappable Power Slots.
NSS4330-60TXF	V3 Version: 48*10/100/1000M Base-T interfaces, 4*10G SFP+ interfaces, Dual Extension Slots, Dual FAN Slots, Dual hot-swappable Power Slots.
FAN-01F-01B	FAN-01F-01B FAN Module
AD120M-HS0N	120W AC Power Supply Module
AD150M-HS0N	150W AC Power Supply Module
DD250M-5S0N	250W DC Power Supply Module
Extension Module	
NM4A-1QXGE1QFP	1-Port 40G QSFP+ and 1-Port 100G QSFP28 Extension Module for NSS4330 Series

NM4A-2QXGEF	2-Port 40G QSFP+ Extension Module for NSS4330 Series
NM4A-4XGEF	4-Port 10G SFP+ Extension Module for NSS4330 Series

Application Scenario

SDN Campus Network



All rights reserved. Printed in the People's Republic of China.

No part of this document may be reproduced, transmitted, transcribed, stored in a retrieval system, or translated into any language or computer language, in any form or by any means, electronic, mechanical, magnetic, optical, chemical, manual or otherwise without the prior written consent of Maipu Communication Technology Co., Ltd.

Maipu makes no representations or warranties with respect to this document contents and specifically disclaims any implied warranties of merchantability or fitness for any specific purpose. Further, Maipu reserves the right to revise this document and to make changes from time to time in its content without being obligated to notify any person of such revisions or changes.

Maipu values and appreciates comments you may have concerning our products or this document. Please address comments to:

Maipu Communication Technology Co., Ltd

No.16, Jiuxing avenue

Hi-Tech Zone

Chengdu, Sichuan Province

P. R. China

610041

Tel: (86) 28-65544850,

Fax: (86) 28-65544948,

URL: [http:// www.maipu.com](http://www.maipu.com)

Email: overseas@maipu.com

All other products or services mentioned herein may be registered trademarks, trademarks, or service marks of their respective manufacturers, companies, or organizations.